

INSTALLATION INSTRUCTIONS

ROD UP - Model RUPC - For SUV's, Wagons and Vans

Please read these instructions carefully


- ⚠ Make sure the suction cups and windows are clean before attaching.
- ⚠ Do not place suction mounts on the gridlines on the windows. Doing so will prevent a vacuum from forming.
- ⚠ Check and secure all connections before driving.
- ⚠ Maximum weight capacity: 15 lbs. / 7kg
- ⚠ Suction mounts should be re-set at least every 2 weeks.
- ⚠ Phillips screwdriver may be required, see section B of the installation instructions.

RODMOUNTS
More. Time. Fishing.



www.rodmounts.com

PACKAGE CONTAINS

| <i>Part No.</i> | <i>Part Name</i> | <i>Quantity</i> | <i>Drawing</i> | <i>Part No.</i> | <i>Part Name</i> | <i>Quantity</i> | <i>Drawing</i> |
|-----------------|---|-----------------|---|-----------------|--|-----------------|---|
| 1 | 25" Telescopic Tube - Small OD Rear Assembly | 1 |  | 7 | Foam Tip Holder | 1 |  |
| 2 | Dovetail Tube Assembly | 2 |  | 8 | Adapter | 1 |  |
| 3 | Rod Holder Assembly | 6 |  | 9 | Half-Wrap Tee | 1 |  |
| 4 | Metal Thumbscrew for Telescopic Tube Assembly | 4 |  | 10 | Horizontal Assembly | 1 |  |
| 5 | Dovetail Tube - Vertical 380mm / 15" Front Assembly | 1 |  | 11 | Plastic Thumbscrew for Tip Holder Half Wrap Tee | 2 |  |
| 6 | Dovetail Tube - Vertical 180mm / 7" Front Assembly (optional) | 1 |  | | | | |

IMPORTANT INFORMATION

Please Note:

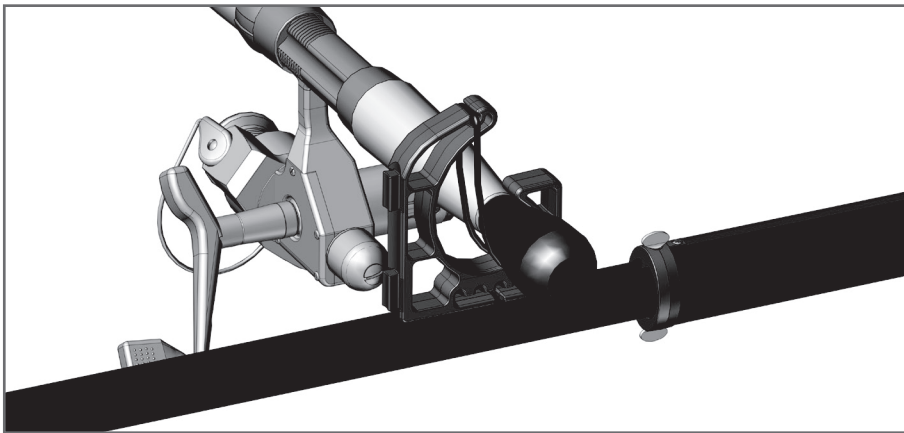
It will be very helpful to have an idea of where you want the rod holders to be positioned on the rear tube assembly before assembling to your vehicle. Depending on the width of your vehicle, some or all of the rod holders can be positioned on the small tube, narrower vehicles may require that some of the rod holders be positioned on the small and large tubes.

We recommend that you first layout the tube assembly on the floor in the back of your vehicle to get an idea of which tube(s) the rod holders will be positioned:

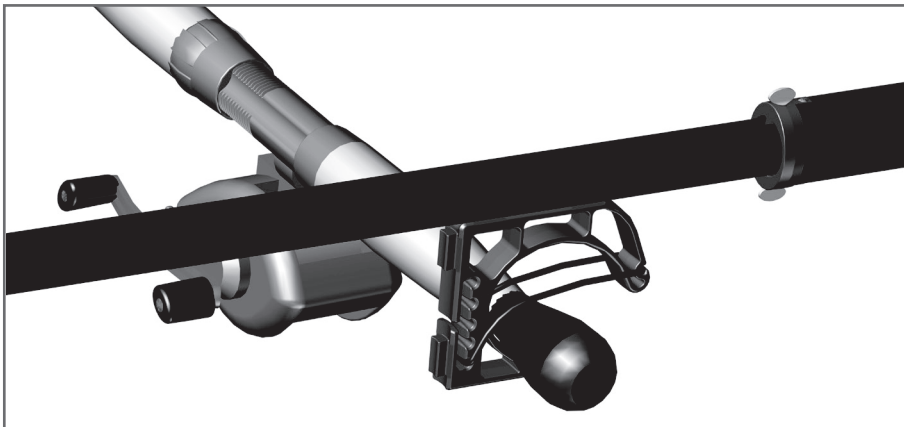
- Do you want the rod holders above or below the tubes?
- Rod holders can be positioned above and below the tubes if required

If all the rod holders can be positioned on the small center tube, proceed to the section A.

If some of the rod holders need to be positioned on the larger tubes, proceed to section B.

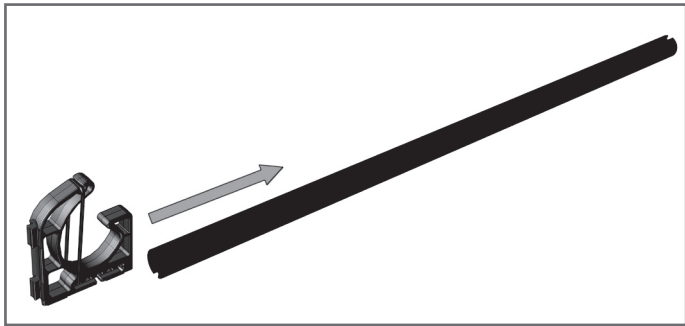


Correct position of rod holder for mounting above the tube

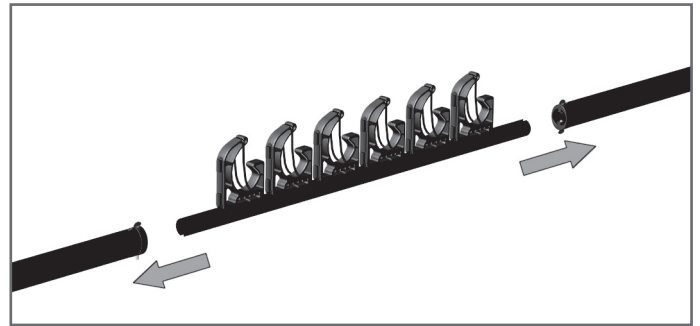


Correct position of rod holder for mounting below the tube

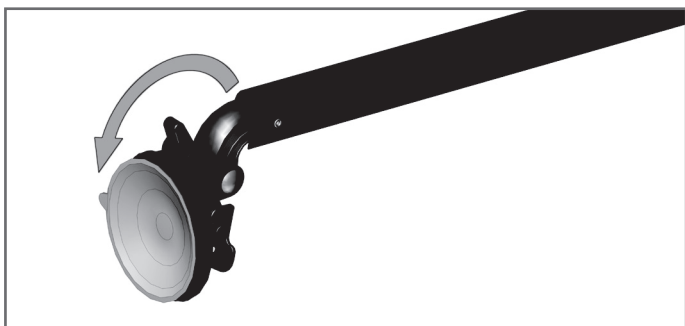
SECTION A - ASSEMBLING REAR ASSEMBLY



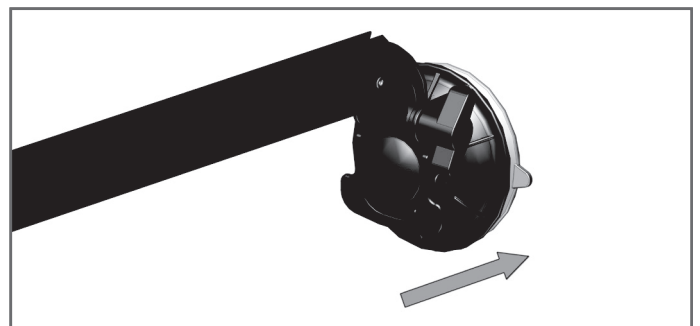
1. Position Rod Holders (3) onto Telescopic Tube (1)



2. Insert Telescopic Tube (1) into each Dovetail Tube Assembly (2)



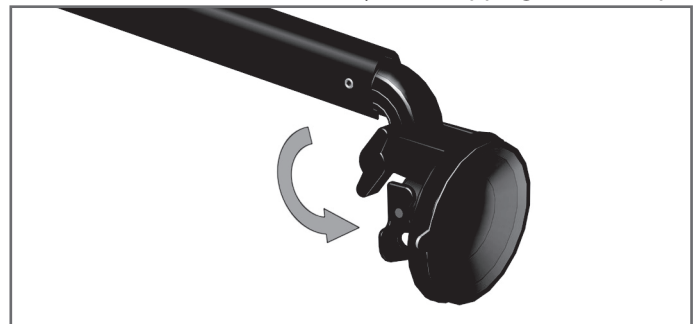
3. Loosen wing nut on suction mount



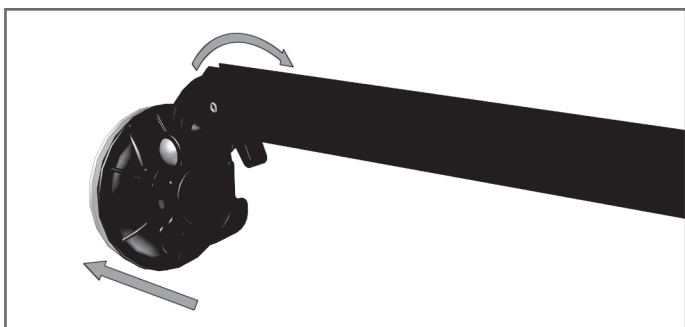
4. Attach one suction mount to rear side window. Be sure suction cups and windows are clean. Apply pressure to the suction mount against the window. Be sure to press the PRESS button down firmly while flipping the lever up



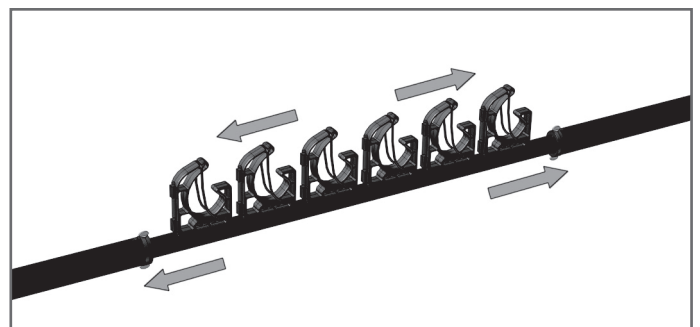
5. **IMPORTANT!** Do not place suction mounts on the gridlines if applied to the window. Gridlines will prevent the suction mounts from maintaining a vacuum.



6. Tighten wing nut



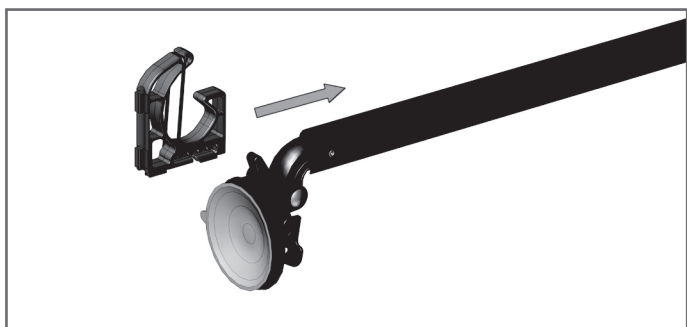
7. Attach opposite suction mount and tighten wing nut



8. Tighten the 4 wing screws on the tube assembly and thumbscrews on the rod holder

SECTION B - ASSEMBLING REAR ASSEMBLY.

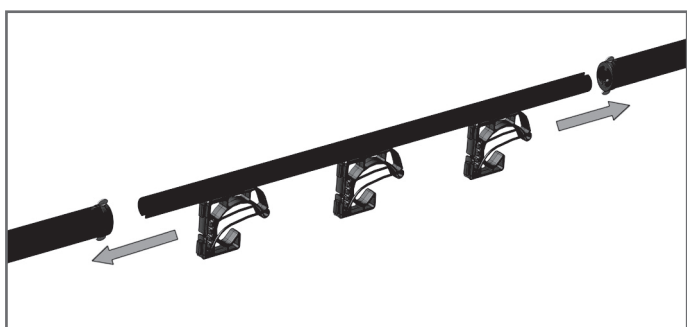
POSITIONING ROD HOLDERS TO LARGE TUBE



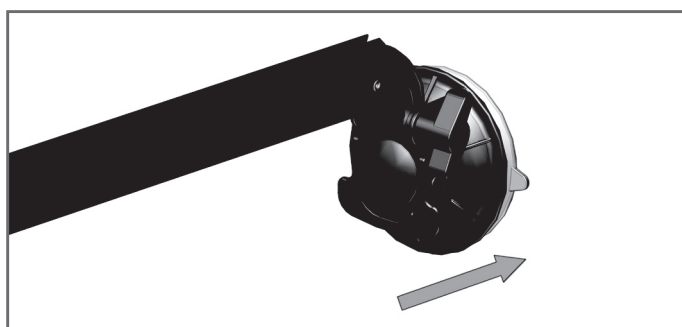
1. If positioning the Rod Holders (3) topside of the Dovetail Tube Assembly (2), it is possible to slide the Rod Holders from the Suction Mount end, proceed to step 4



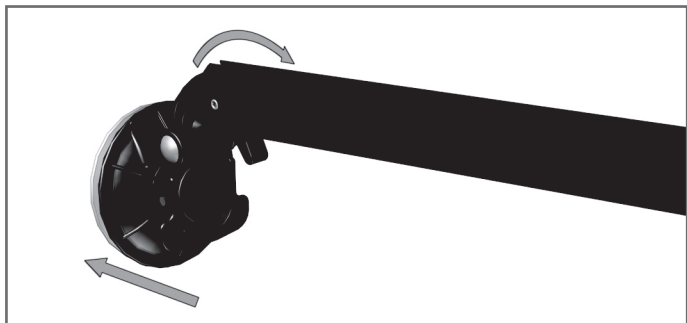
2. To position Rod Holders (3) below the tube, remove the Tube Stop (requires phillips screwdriver). Slide Rod Holders on and replace Tube Stop.



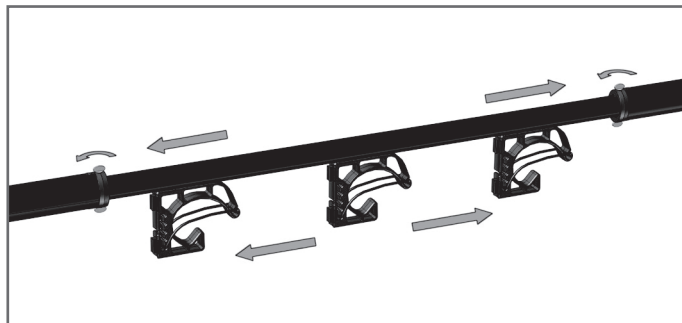
3. Insert Telescopic Tube (1) into each Dovetail Tube Assembly (2)



4. Attach one suction mount to rear side window. Be sure suction cups and windows are clean. Apply pressure to the suction mount against the window. Be sure to press the PRESS button down firmly while flipping the lever up



5. Attach opposite suction mount and tighten wing nut



6. Tighten the 4 wing screws on the tube assembly and thumbscrews on the rod holders

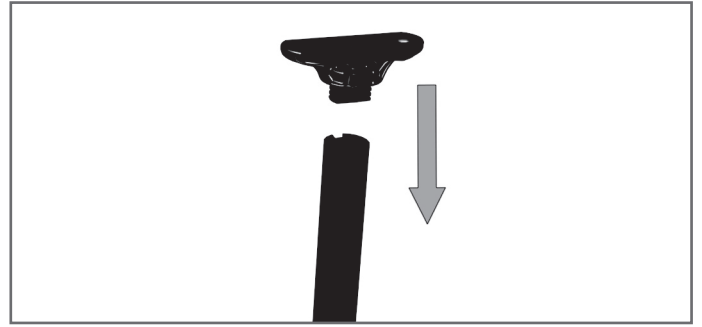


7. **IMPORTANT!** Do not place suction mounts on the gridlines. The gridlines, if applied on the window, will prevent the suction mounts from maintaining a vacuum.

ASSEMBLING TIP HOLDER ASSEMBLY



1. Determine which headrest you want to use and the appropriate Dovetail Tube - Vertical, long (5) or short (6)



2. Install Adapter (8) to the correct Dovetail Tube - Vertical



3. Lift headrest to its fullest height



4. Attach Horizontal Assembly (10); Back off thumbscrew and engage clamps.



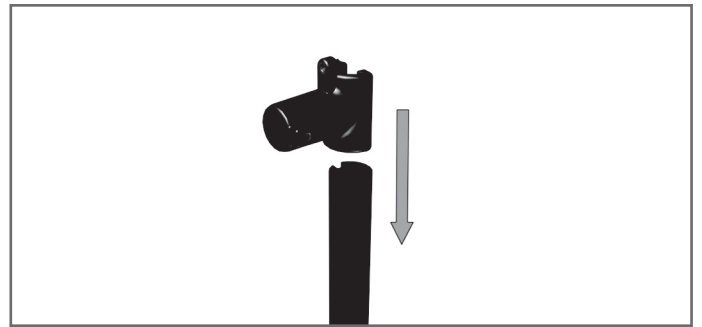
5. Tighten clamp thumbscrews securely



6. Readjust headrest height

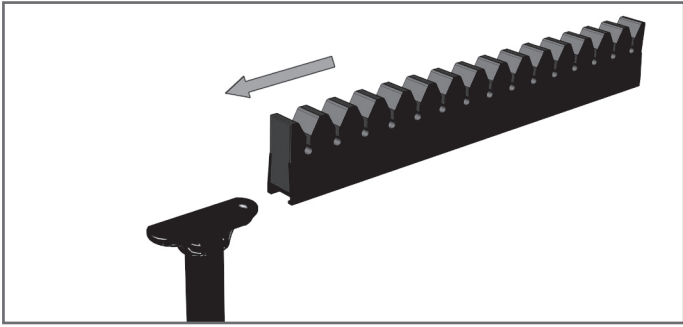


7. Flip lever lock up and pull out the telescopic tube to desired position

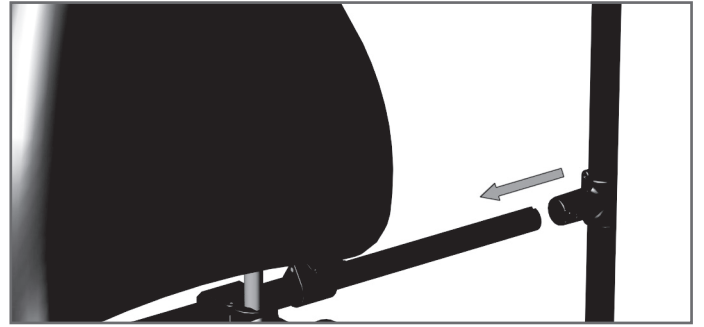


8. Thread thumbscrews (11) partly in, slide Half-Wrap Tee (9) onto the Dovetail Tube - Vertical

ASSEMBLING TIP HOLDER ASSEMBLY



9. Slide Foam Tip Holder (7) onto Adapter (8)



10. Install Half-Wrap Tee (9) over extended Horizontal Assembly (10) securely



11. Adjust height of Dovetail Tube - Vertical and tighten Thumbscrew (11)

Please Note:

The tip holder can be adjusted horizontally and vertically for maximum passenger room.

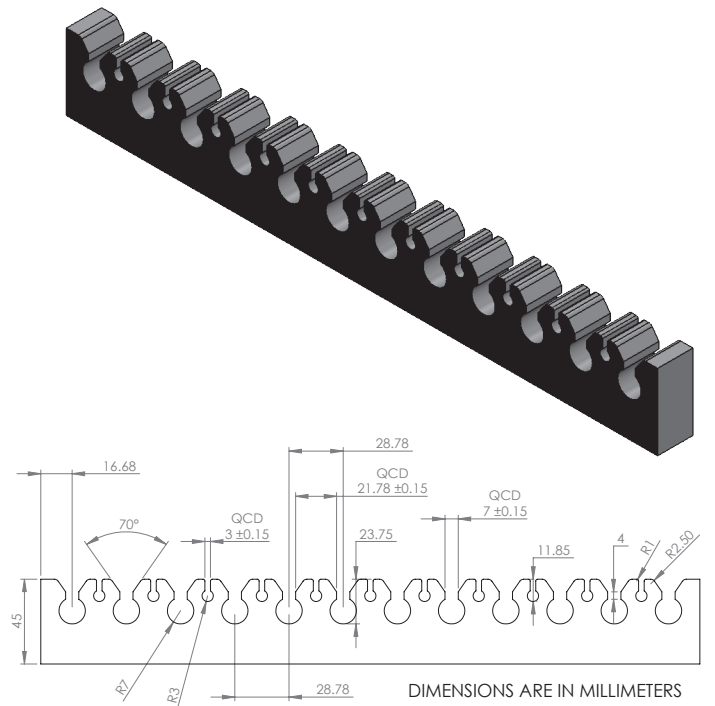
Optional Large Foam Tip Holder:



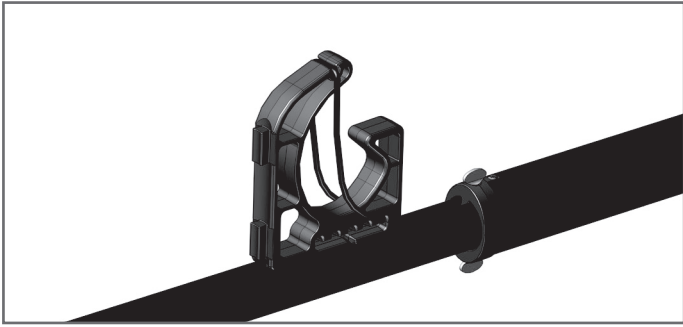
RodMounts offers an optional foam tip holder for large diameter rods or rods broken down in sections.



The large tip holder is sold separately and is available on our website. Remove the small tip holder by pulling at one end and working down to the opposite end. Installing the large foam tip holder, just reverse the process, takes just a few seconds.



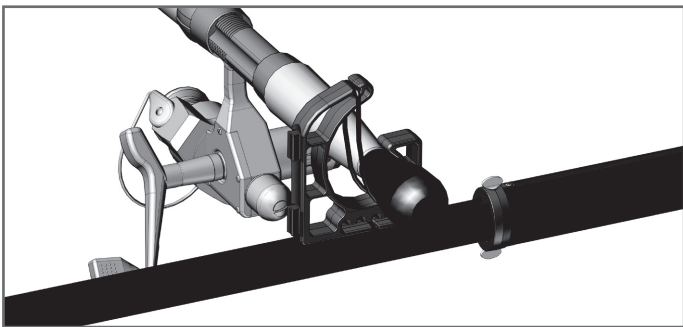
PLACING RODS IN THE ROD-UP



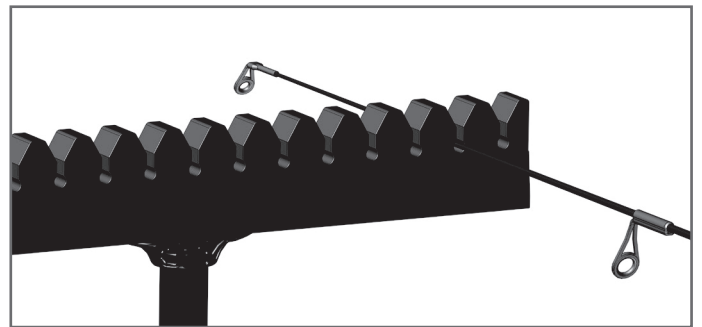
1. Adjust the rubber tension bands on the Rod Holders (3) for maximum security



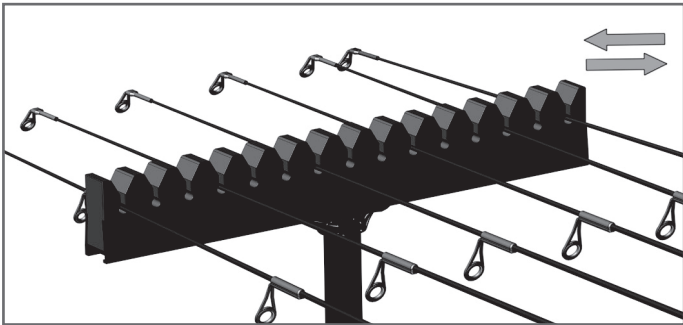
2. Adjust the Foam Tip Holder (7) height for easy loading



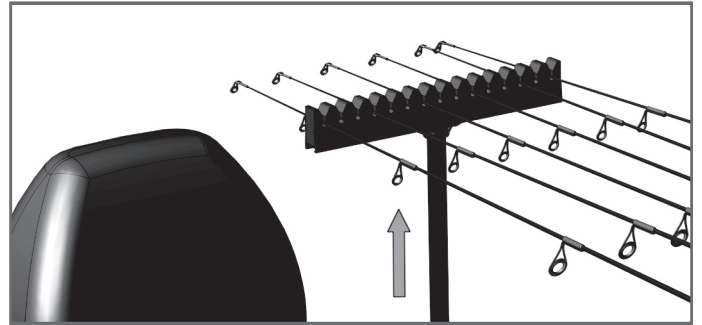
3. Place rod grip in Rod Holder (3)



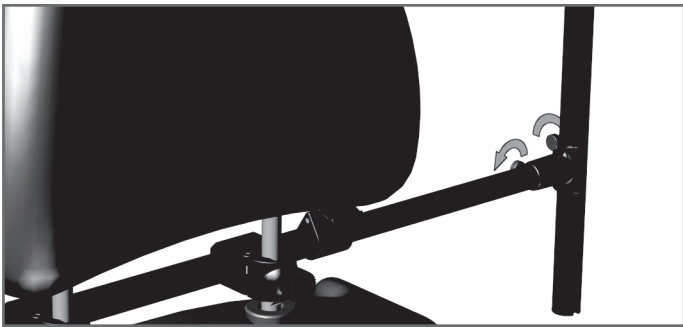
4. Position rod tip into Foam Tip Holder (7) slots



5. Before driving, adjust tips in Foam Tip Holder (7)

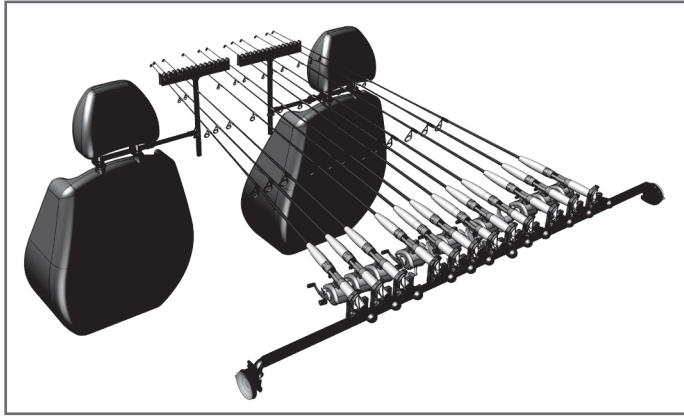
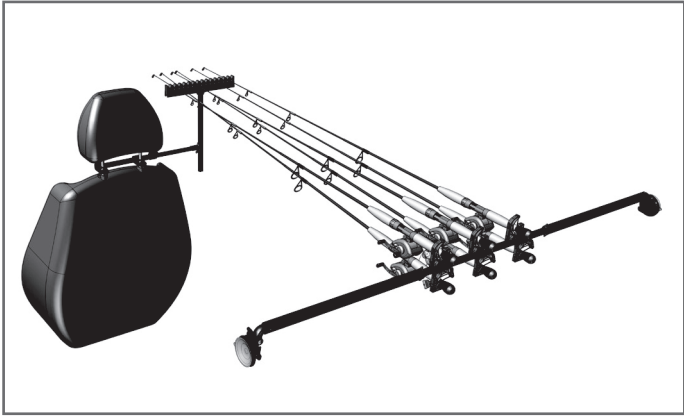
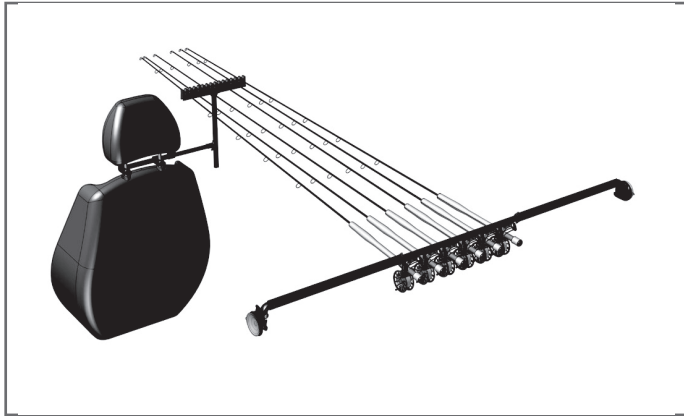
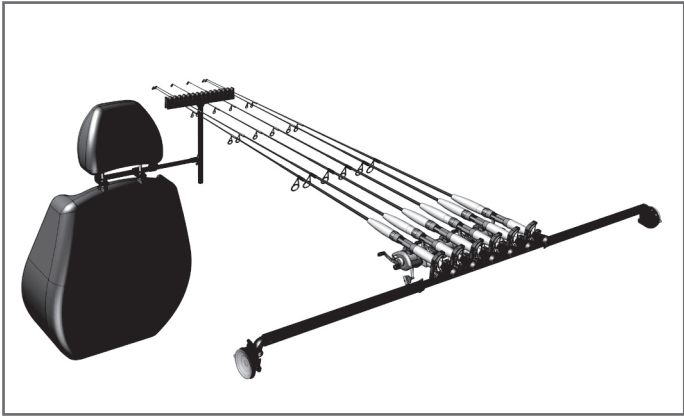


6. Re-position Foam Tip Holder (7) toward ceiling for maximum passenger room



7. Tighten Thumbscrews (11)

POSSIBLE ROD HOLDERS POSITIONS



The above images show just a few of the possible positions for the rod holders on the rear tube assembly. You may want to position the rod holders to accommodate your vehicle for optimum usage. Additional rod holders are sold separately.

IMPORTANT INFORMATION

Warranty:

RodMounts warrants our product against defects in materials or workmanship for one year from the date of purchase. This warranty applies to the original purchaser; proof of purchase is required. This warranty specifically excludes damage caused by failure to follow instructions, misuse, abuse, improper storage or use in a commercial application. No warranty of merchantability or fitness for a particular purpose is made. In the event of a claim against this warranty, the manufacturer's obligation, and the claimant's sole remedy, shall be replacement of the product, repair or refund of the original purchase price, at RodMounts' option.

Disclaimer:

Handling, storage and use of this product by the buyer or user are beyond the control of RodMounts. Risks such as ineffectiveness or other unintended consequences resulting from, but not limited to, failure to follow instructions will be assumed by the buyer or user. In no case will RodMounts be held liable for consequential, special or indirect damages resulting from the improper handling, storage or use of this product.

RODMOUNTS

More. Time. Fishing.

www.rodmounts.com
PO Box 8105, Bend, Oregon 97708 USA
customerservice@rodmounts.com
ROD-UP is a trademark of RODMOUNTS
Copyright 2017